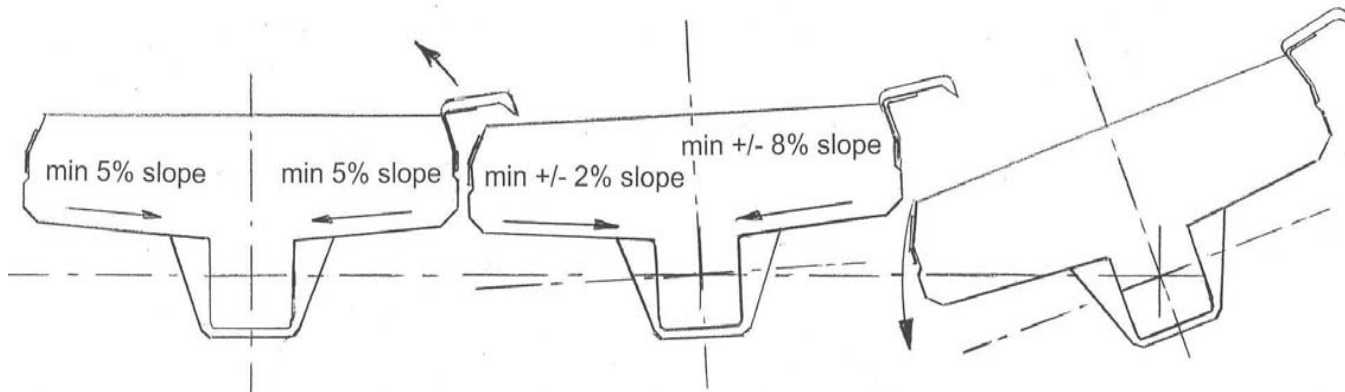


SKETCH n°1

ROTATION DIRECTION

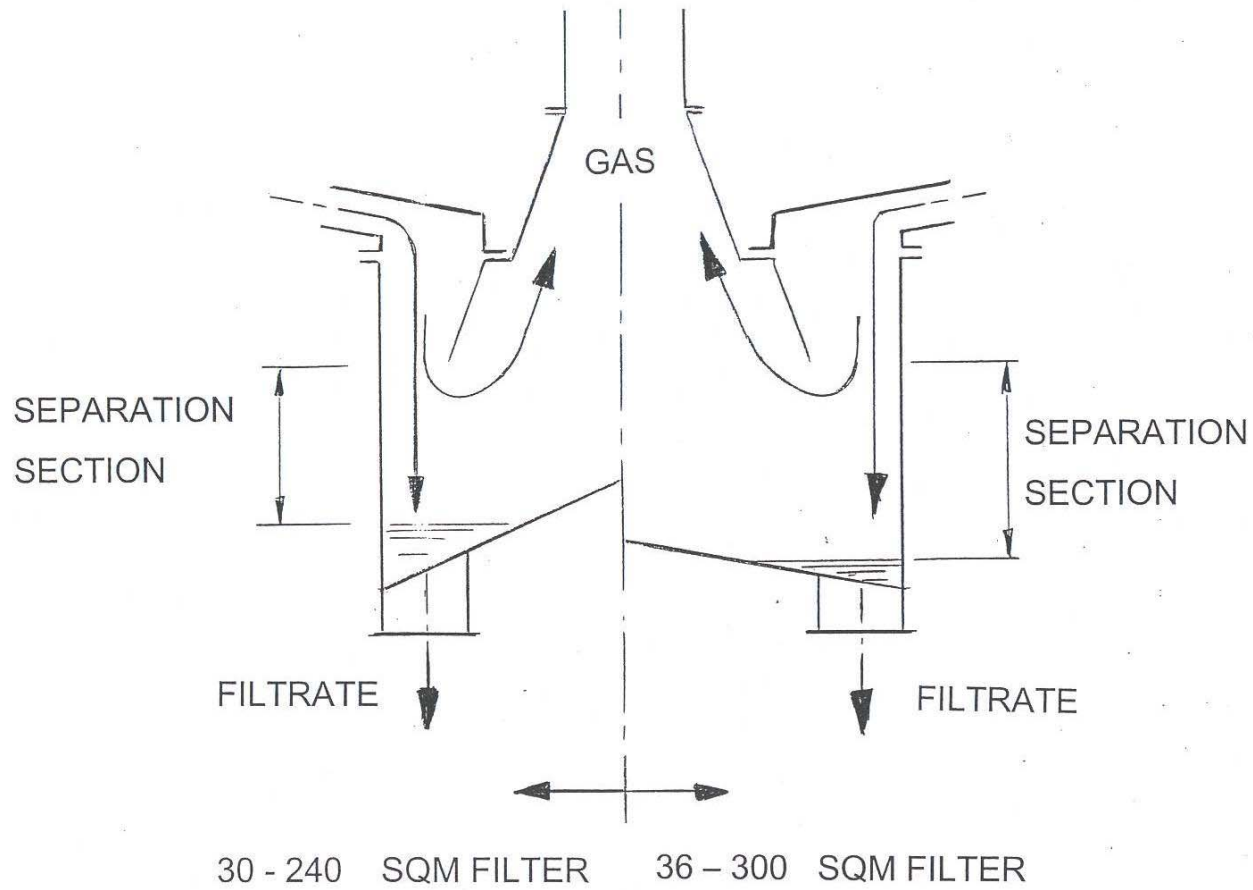


PRAYON FILTER PAN PRETILT

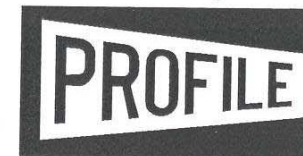
MAIN FILTER PAN TILT

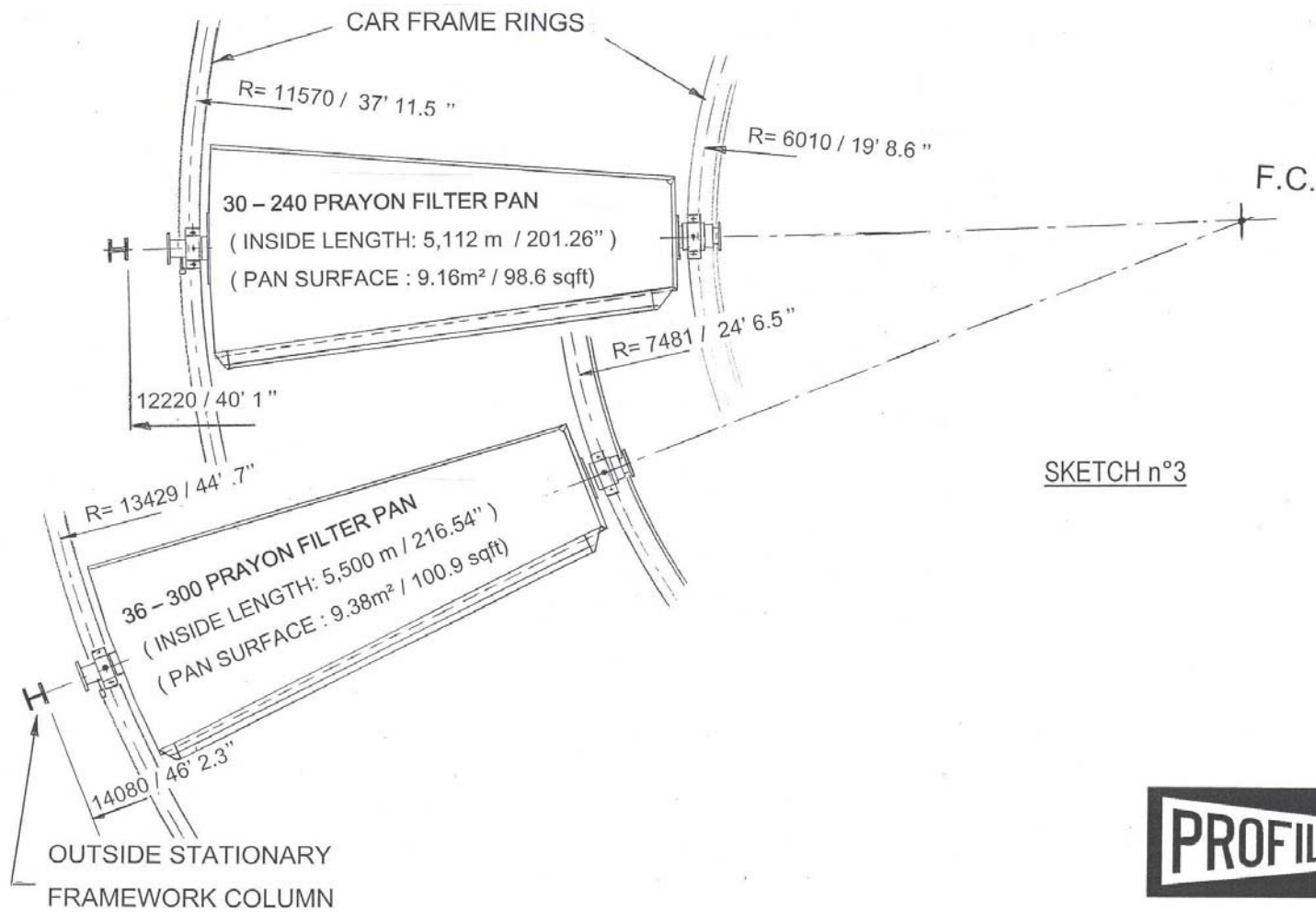


SKETCH n°2



A C DISTRIBUTOR
PATENTED DESIGN





SKETCH n°3

